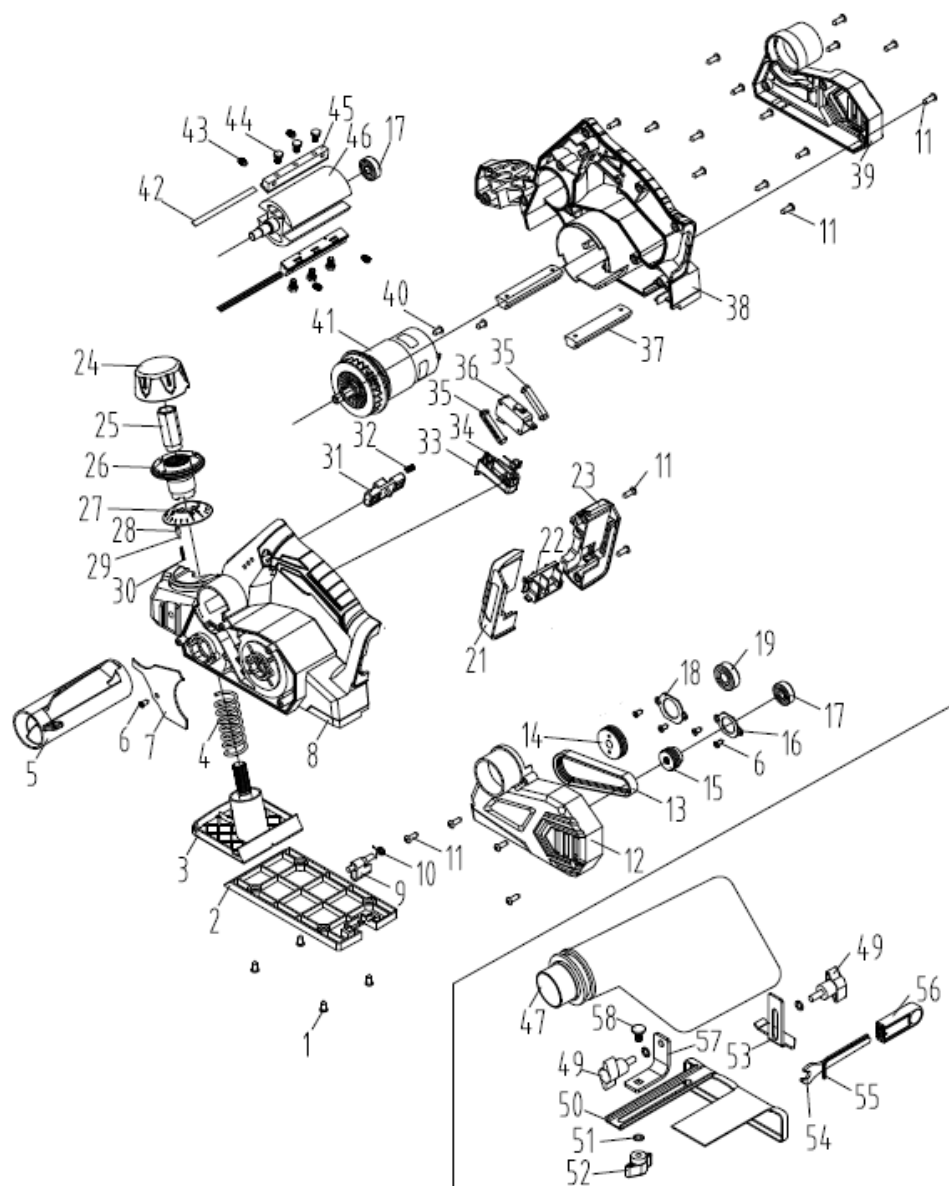


## RDP-SEP20 solo-Exploded view



## RDP-SEP20 solo- Spare Parts List

1	Cross recessed pan head tapping screws5/4. 2#12	4	30	Little spring	1
2	After floor	1	31	Lock button	1
3	Noseplate	1	32	Spring	1
4	Regulating spring	1	33	Shift knob	1
5	Out of the dust tube	1	34	Torsional spring	1
6	Cross recessed flat head tapping screws5/4. 2#12	5	35	Switch base	2
7	Out of the dust flap	1	36	Switch	1
8	The left casing	1	37	Mounting plate	2
9	Knife guard foot assembly	1	38	Right casing	1
10	Leg torsional spring	1	39	Rear cowl	1
11	Cross recessed pan head tapping screws5/4. 2#14	20	40	Cross recessed pan head tapping screws5/4. 2#10	2
12	Belt cover	1	41	Brush integrated motor	1
13	Poly V-belt	1	42	Blade	2
14	The pulley	1	43	Hexagon socket taper set screws/M5*10	4
15	Small belt pulley	1	44	Hexagon bolt/quench8.8rank /M5*8	6
16	Rotor bearing gland	1	45	Tool apron /82	2
17	Bearing608RS	2	46	The knife shaft body	1
18	Tool shaft bearing gland	1	47	Dust bag assembly	1
19	Bearing600ORS	1	48	Head round head square neck boltM6*12	1
20		1	49	Thumbscrew	2
21	Pins left shell	1	50	Guide '	1
22	Sc MCD758-1 stand	1	51	Plain washer#6	3
23	Pins right shell	1	52	Butterfly nut	1
24	Adjusting knob cover	1	53	The depth of the stent	1
25	Adjusting screw nut	1	54	The little wrench	1
26	Adjust the knob holder	1	55	Socket head wrenchS2. 5	1
27	Dial	1	56	wrench	1
28	Bullet Train	1	57	Parallel bracket	1
29	Steel ball2. 5	1	58		